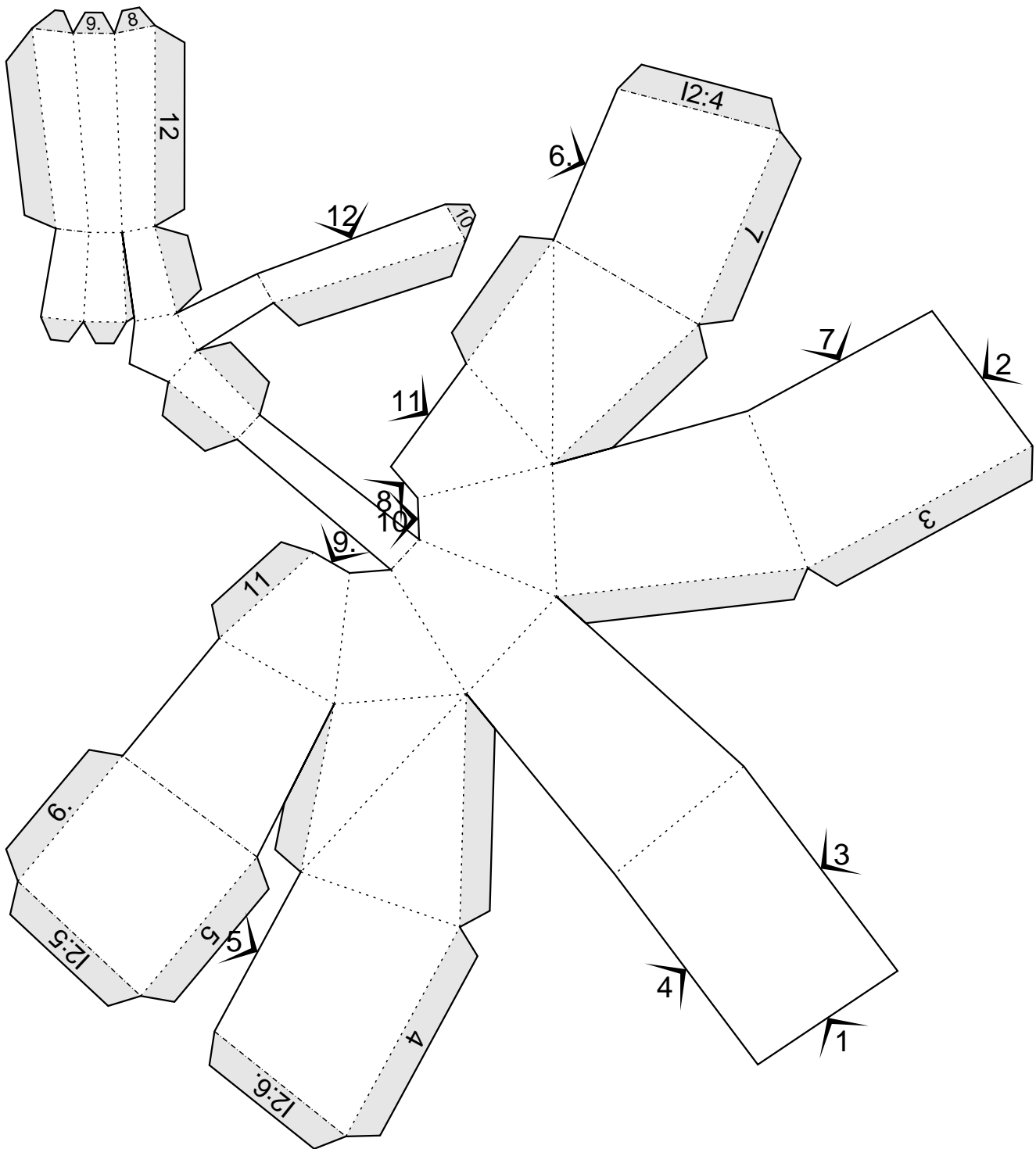


[I2] Island 2



[11] Island 1