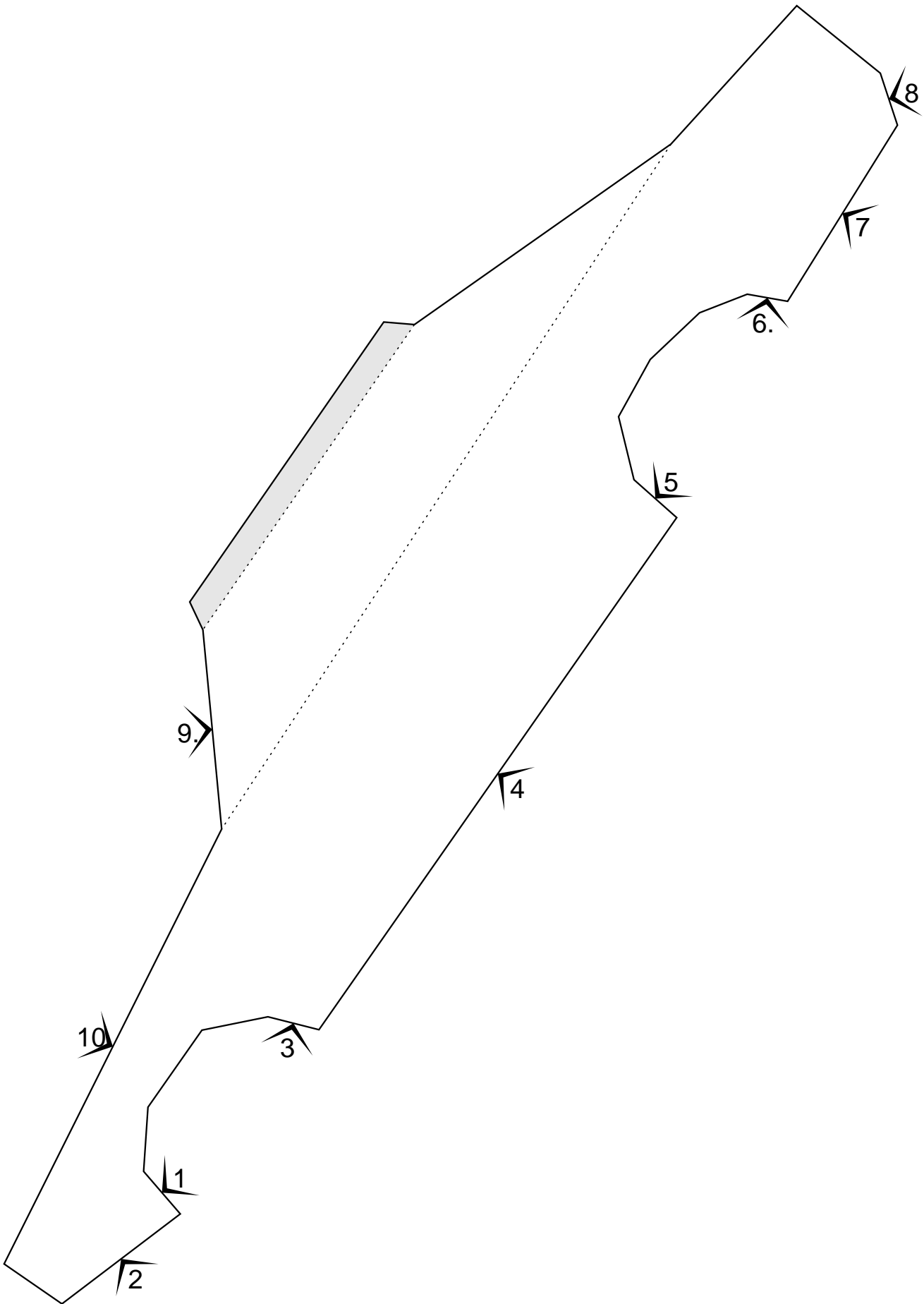
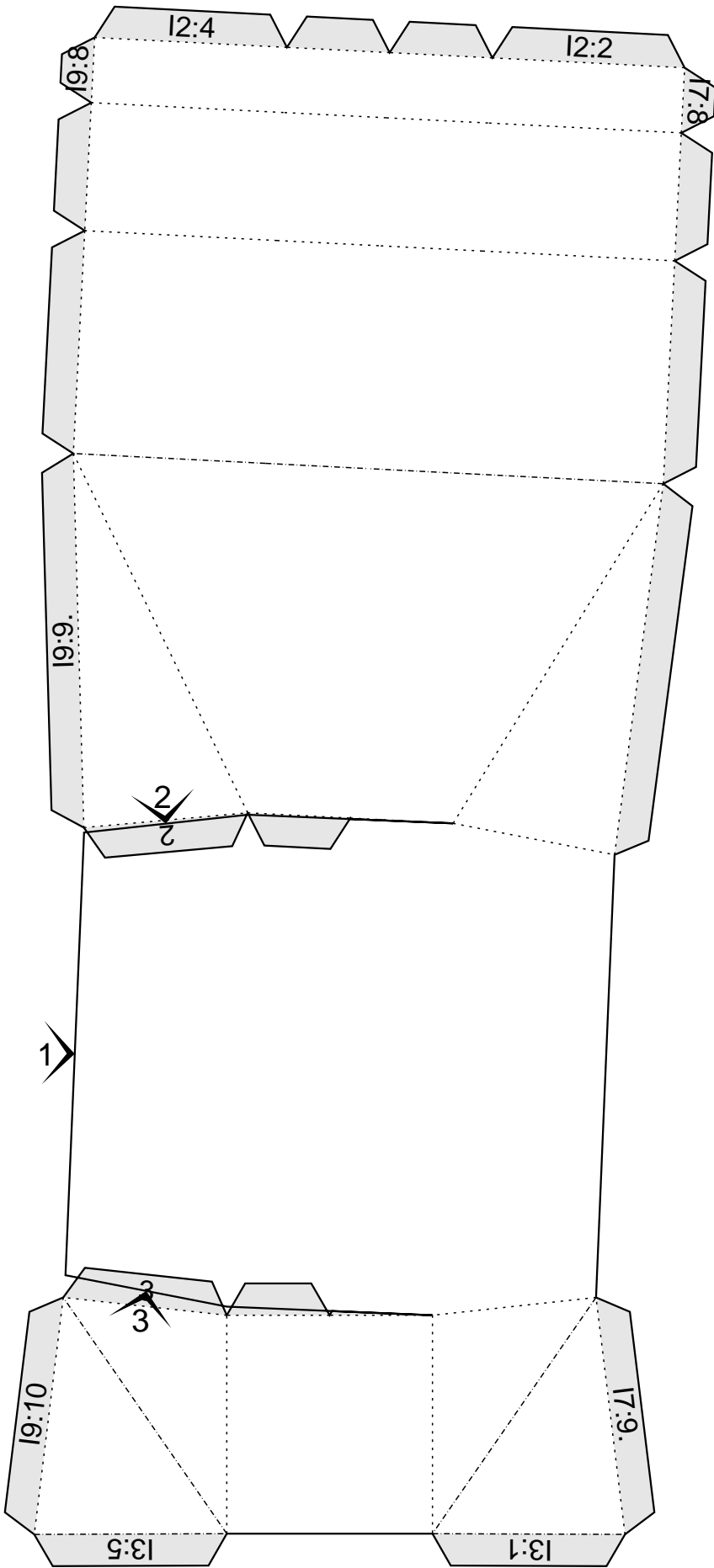


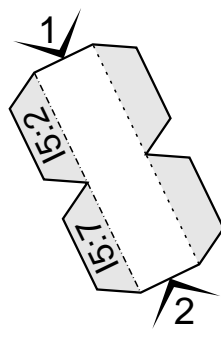
[19] Island 9



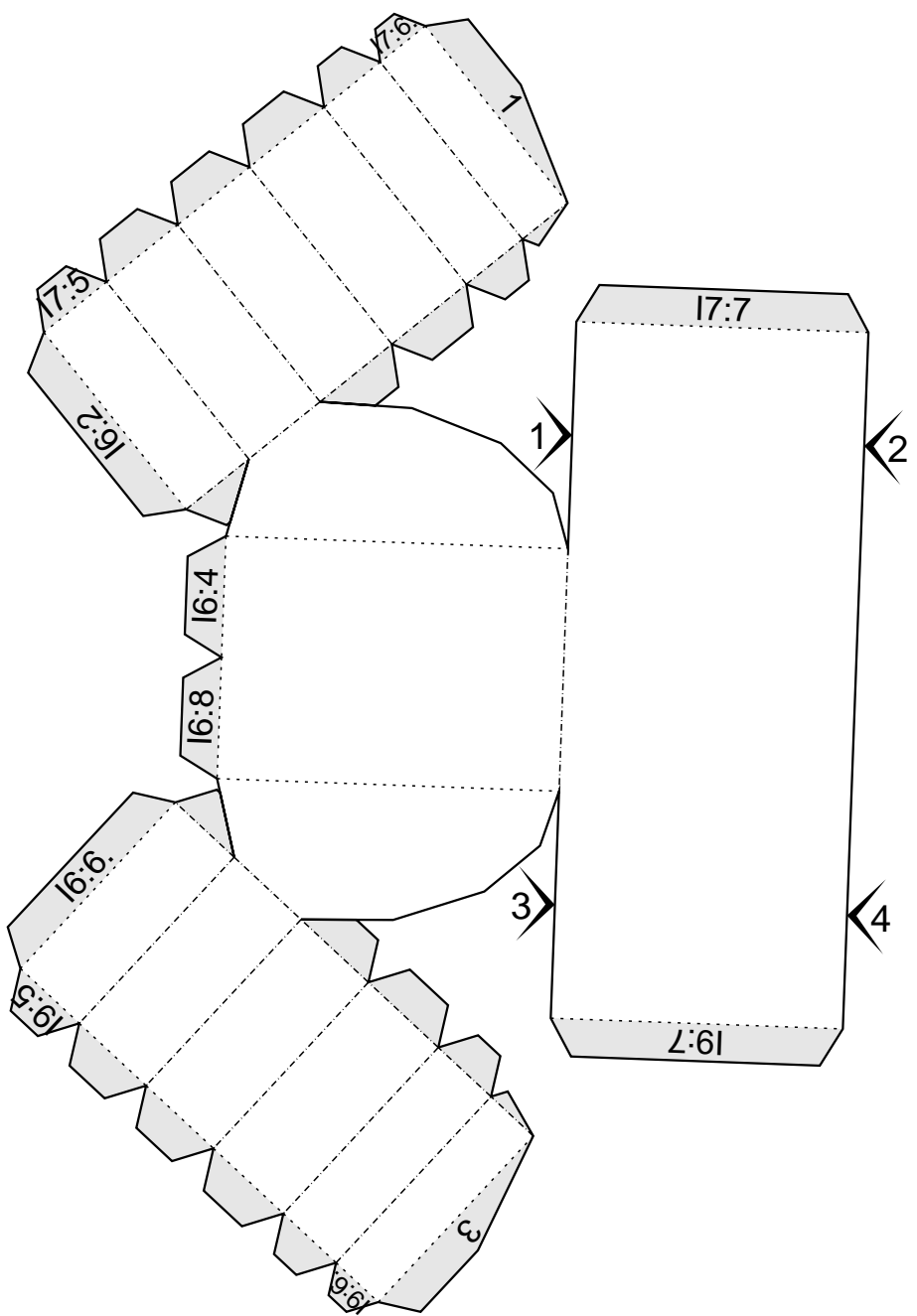
[I7] Island 7



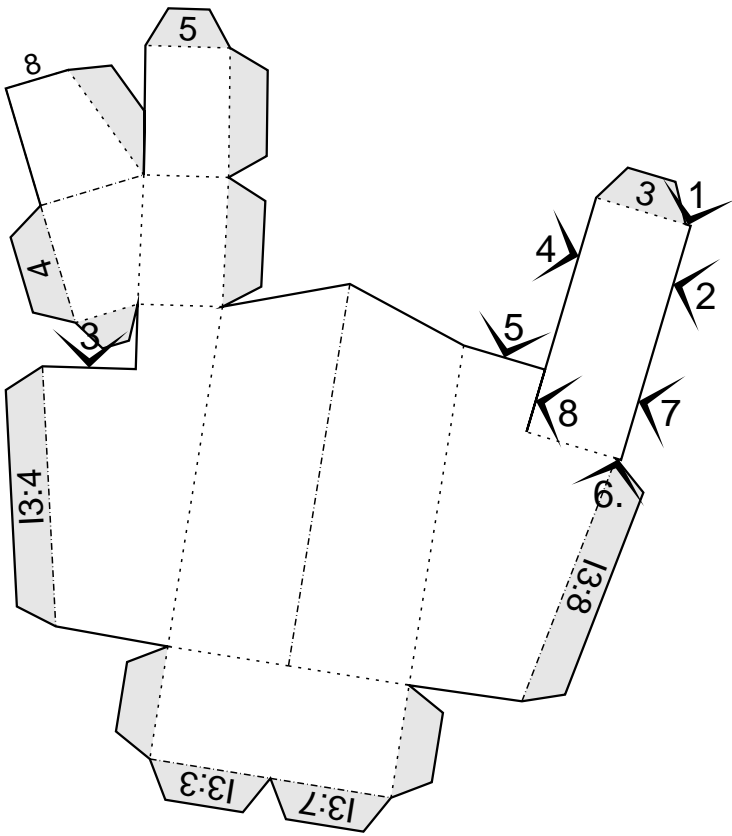
[11] Island 1



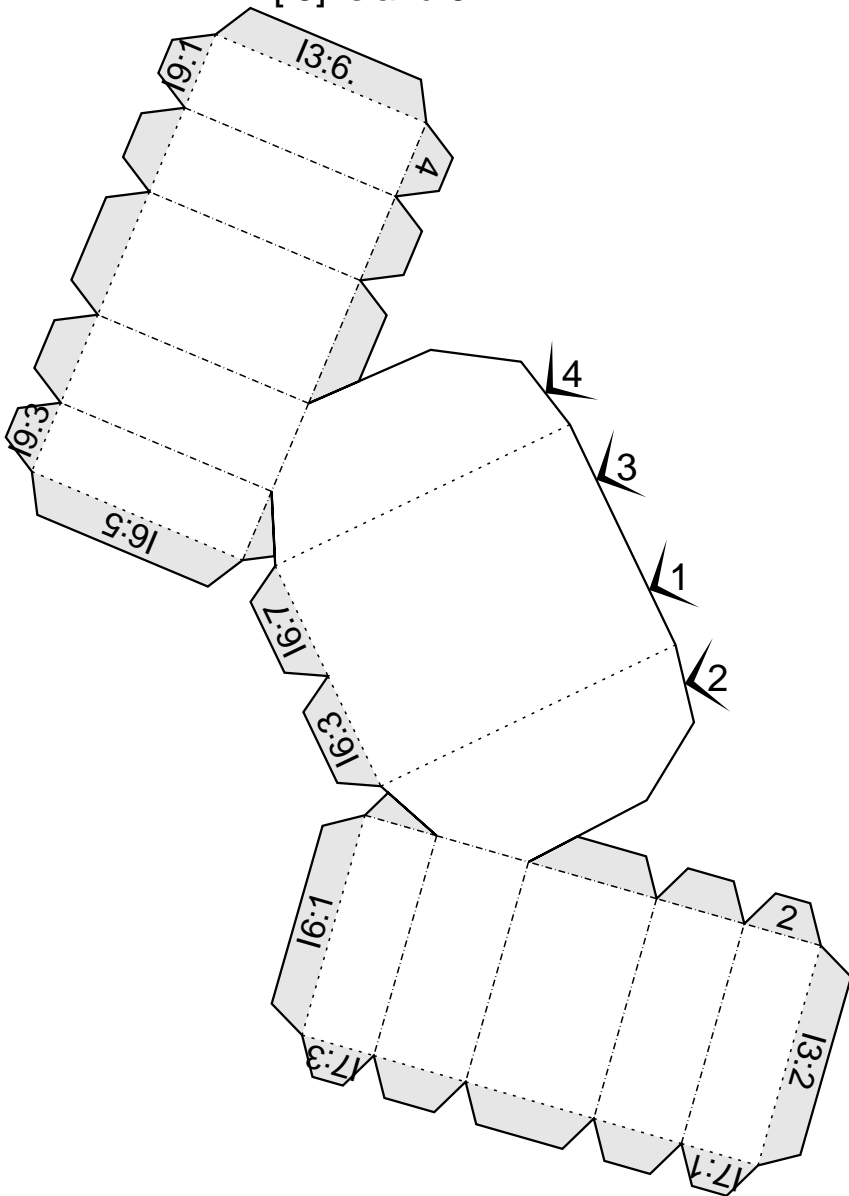
[18] Island 8



[12] Island 2



[5] Island 5



[14] Island 4

